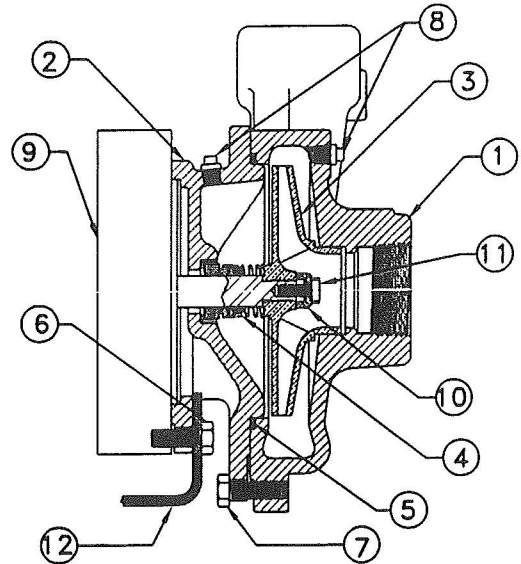


MOTORS (3500 RPM) ODP		
9	S-402	MOTOR 1/3 HP 1 PH-ODP-56J
9	S-460R	MOTOR 1/2 HP 1 PH-ODP-56J
9	S-461R	MOTOR 3/4 HP 1 PH-ODP-56J
9	S-462R	MOTOR 1 HP 1 PH-ODP-56J
9	S-463R	MOTOR 1 1/2 HP 1 PH-ODP-56J
9	S-464R	MOTOR 2 HP 1 PH-ODP-56J
9	S-2770R	MOTOR 1/3 HP 3 PH-ODP-56J
9	S-2771R	MOTOR 1/2 HP 3 PH-ODP-56J
9	S-2772R	MOTOR 3/4 HP 3 PH-ODP-56J
9	S-2773R	MOTOR 1 HP 3 PH-ODP-56J
9	S-2774R	MOTOR 1 1/2 HP 3 PH-ODP-56J
9	S-2775R	MOTOR 2 HP 3 PH-ODP-56J
9	S-4551R	MOTOR 3 HP 3 PH-ODP-56J
ITEM	PART #	DESCRIPTION
MOTORS (3450 RPM) TEFC		
9	S-402E	MOTOR 1/3 HP 1 PH-TEFC-56J
9	S-460RE	MOTOR 1/2 HP 1 PH-TEFC-56J
9	S-461RE	MOTOR 3/4 HP 1 PH-TEFC-56J
9	S-462RE	MOTOR 1 HP 1 PH-TEFC-56J
9	S-463RE	MOTOR 1 1/2 HP 1 PH-TEFC-56J
9	S-464RE	MOTOR 2 HP 1 PH-TEFC-56J
9	S-2770RE	MOTOR 1/3 HP 3 PH-TEFC-56J
9	S-2771RE	MOTOR 1/2 HP 3 PH-TEFC-56J
9	S-2772RE	MOTOR 3/4 HP 3 PH-TEFC-56J
9	S-2773RE	MOTOR 1 HP 3 PH-TEFC-56J
9	S-2774RE	MOTOR 1 1/2 HP 3 PH-TEFC-56J
9	S-2775RE	MOTOR 2 HP 3 PH-TEFC-56J
9	S-4551RE	MOTOR 3 HP 3 PH-TEFC-56J
10	100357	WASHER-MOTOR 56J 3500RPM 3PH SS
10	100301	WASHER-MOTOR 56J 3500RPM 3PH BR
11	102R03A2	SCREW-CAP 1/4-28X5/8 S.S.
11	S-5202	SCREW-CAP 1/4-28X5/8 HH MONEL
12	C2-4525	BASE-PUMP RC5-10/12 RC6-12



When replacing motor prior to Oct. 1995, serial number 9510, items 11 (base) and 6 (cap screw) are required.

SEAL KITS

MOTOR FRAME	SEAL MATERIAL	PUMP TYPE	PART NUMBER
56J	BUNA N	BF/AB/AI	ML11763
56J	EPT	BF/AB/AI	ML11764
56J	VITON	BF/AB/AI	ML11765

SEAL KIT INCLUDES: SEAL AND CASING O-RING.

BF = BRONZE FITTED
 AB = ALL BRONZE
 AI = ALL IRON